

Part number

# CHV 06 L13



## Brief description:

hoods for single lever, size "44.27", top entry, Pg13.5, metal version, IP66



### Product description

Version	metal version
Series	hoods for single lever
Product type	with 2 pegs
Variant	top entry
Family	CLASS enclosures
Size	size "44.27"

### Technical data

Material	metal
IP degree of protection	IP66 (and IP69K DIN 40050 - 9)
Cable entry	Pg13.5

### Further technical details

Weight	84,00 g
--------	---------

### Approvals / Standards

Quality mark	 (type:4/4X/12),  , EAC
Conformity	CQC, CE

### General ordering information

EAN13 code	8015747024112
Tariff number	85369095

### Packaging Information

Packaging length	140,00 mm
Packaging height	130,00 mm
Packaging width	225,00 mm
Packaging weight	2,00 kg
Packaging volume	4,10 dm <sup>3</sup>
Packaging description	Carton box
Packaging quantity	20 Pcs
Packaging EAN code	8015747024129
Sub-packaging weight	0,50 kg
Sub-packaging description	Plastic packaging
Sub-packaging quantity	5 Pcs
Sub-packaging EAN barcode	8015747024136

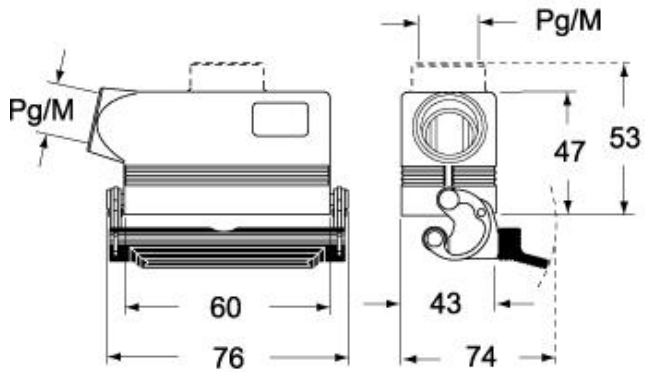
Part number

# CHV 06 L13

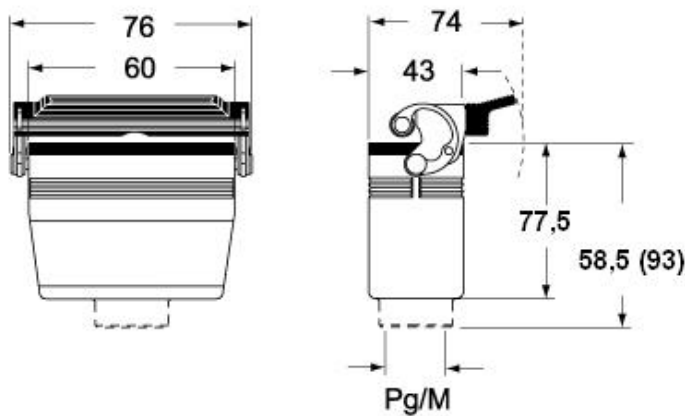


Catalogue drawings

## CHO LX CHV LX - MHO LX MHV LX



## CHV LG (CAV LG), MHV LG (MAV LG) [MFV LG]



## CHO L (CAO L) - MHO (MAO/MFO/MFV L) MHV L [MAV L]

